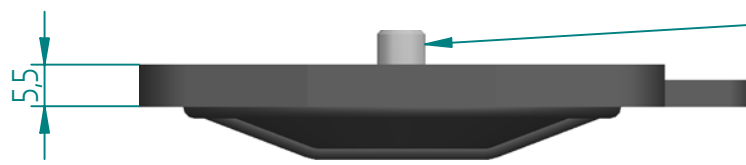
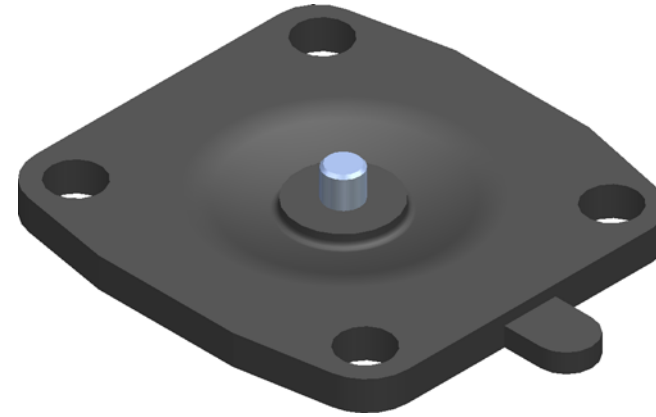
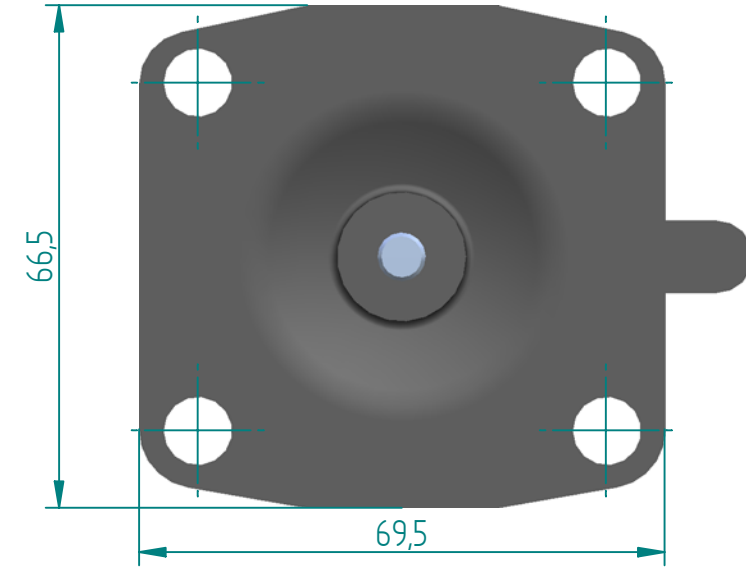
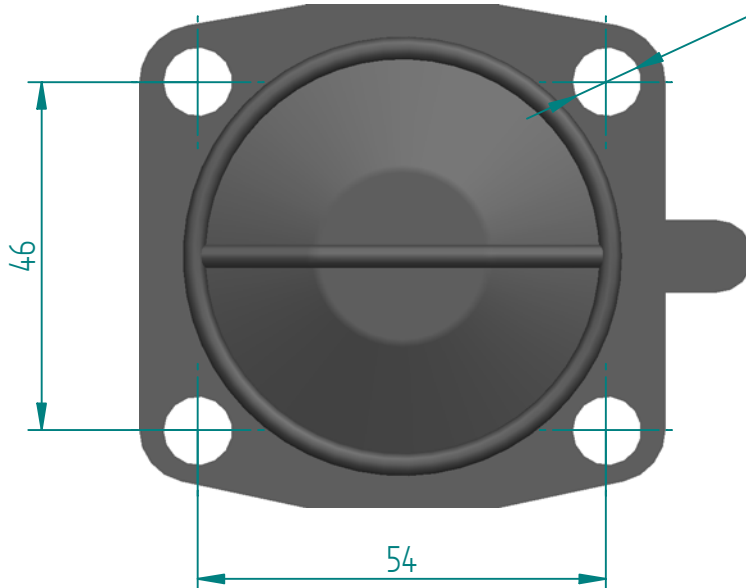
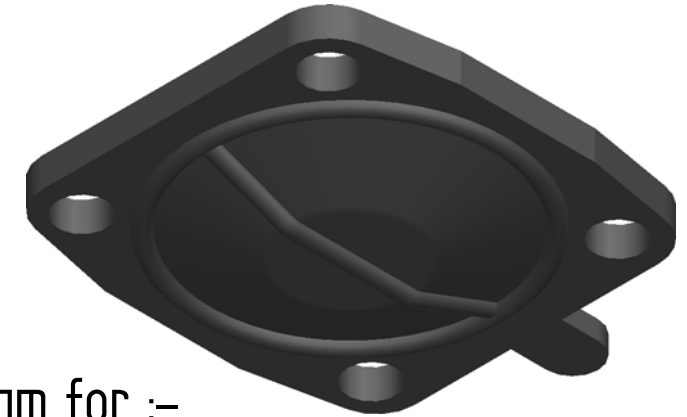


REVISION HISTORY

REV	DESCRIPTION	DATE	APPROVED



1/4"-20 UNC (INSERT SCREW)



Ø 9 (4 Holes)

**Replacement Diaphragm for :-**  
 OEM PART = 41283 or 46605  
 USED ON 1" (DN25) Diaphragm Valve

	NAME	DATE
DRAWN	M.MC KEON	08/21/14
CHECKED		



**Material - EPDM**

TITLE **DD10-IE7**

Complies with CFR 177.2600  
 and Conforms to  
 USP Class VI Biological Reactivity  
 Tests Section #87 and #88

SIZE A **FOOT PRINT DIMENSIONS** REV B

FILE NAME: DD10-IE7.dft

SCALE: 1:1 ECO:0605 SHEET 1 OF 1

Disclaimer - Diaphragm Direct® does not manufacture, represent, nor sell OEM valves or diaphragms manufactured by any other company. Diaphragm Direct® brand diaphragms are not sponsored by any other manufacturers. Any name, model, part number, brand, image, material or referral is for descriptive purposes only. Diaphragm Direct® brand replacement diaphragms are guaranteed to fit OEM equipment and meet or exceed OEM specifications. Diaphragm Direct® brand replacement diaphragms are covered by the standard Diaphragm Direct® limited product warranty.